

# The NEW Grande SOQI Bed



# New High-Tech Design:

Meets ergonomic needs; more stable & appeals to larger market



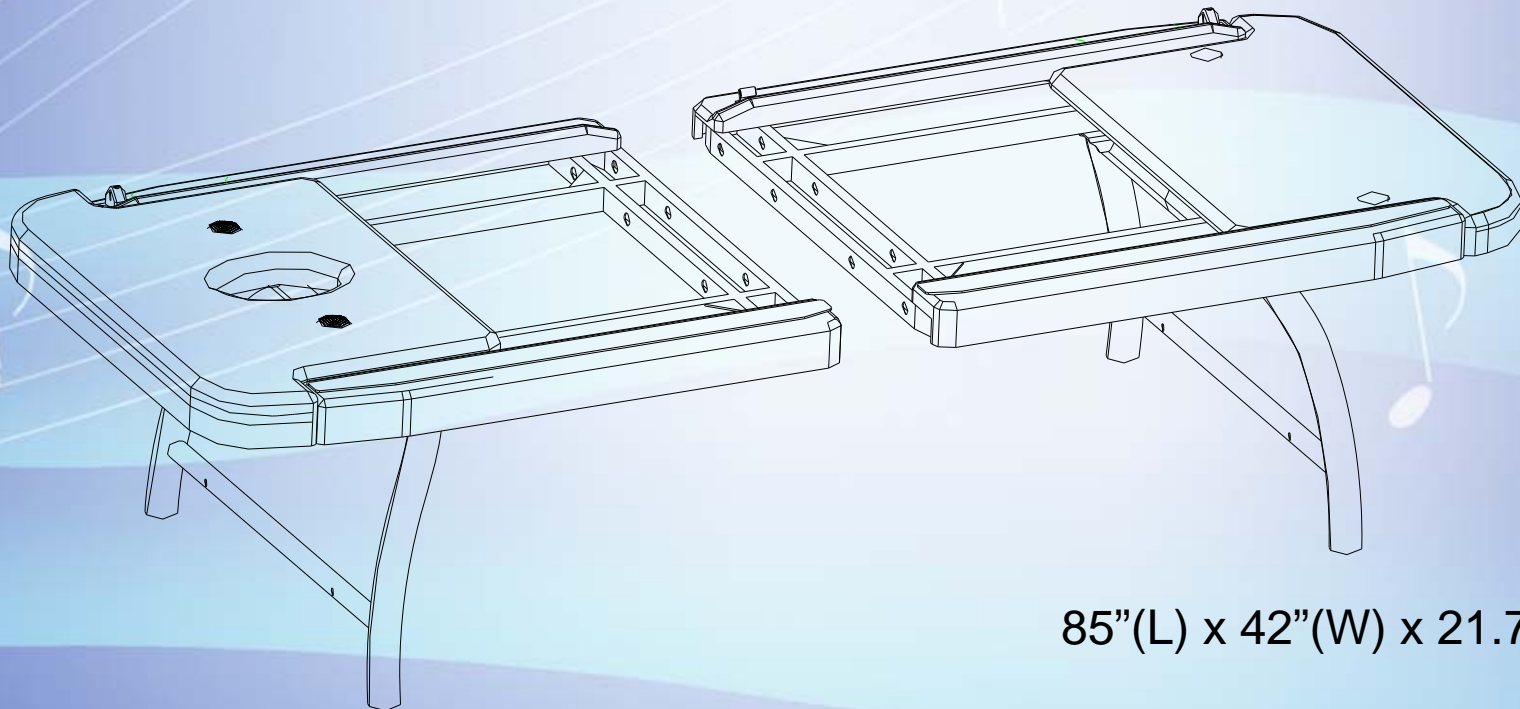
# Design concepts :

1. “Touch” control panel - easy to operate
2. Two smaller bed body parts – Lighter, smaller, easy to ship and carry
3. Modified leg pieces – more supportive to bed body and more stable.
4. Modified screws and accessories – easy to identify and assemble
5. New heat insulation strips – User friendly

## Feature 1 -

- **Minimized bed structure –  
two separate bed body pieces**

Easier to transport and keep packages intact during shipping process!



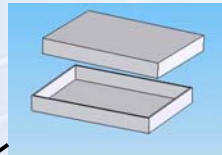
85"(L) x 42"(W) x 21.7"(H)

## Feature 2 -

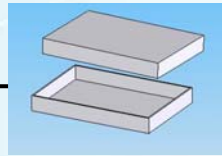
# ◆ Product Packaging

Easier to carry and assemble !

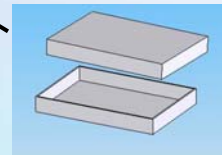
# SOQI BED



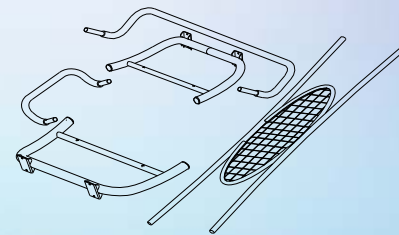
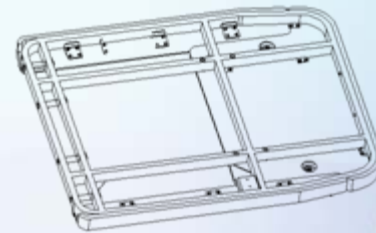
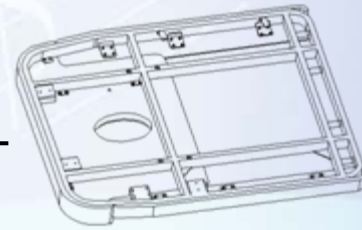
Package A ( 1065\*895\*100 mm )



Package B ( 1065\*895\*100 mm )



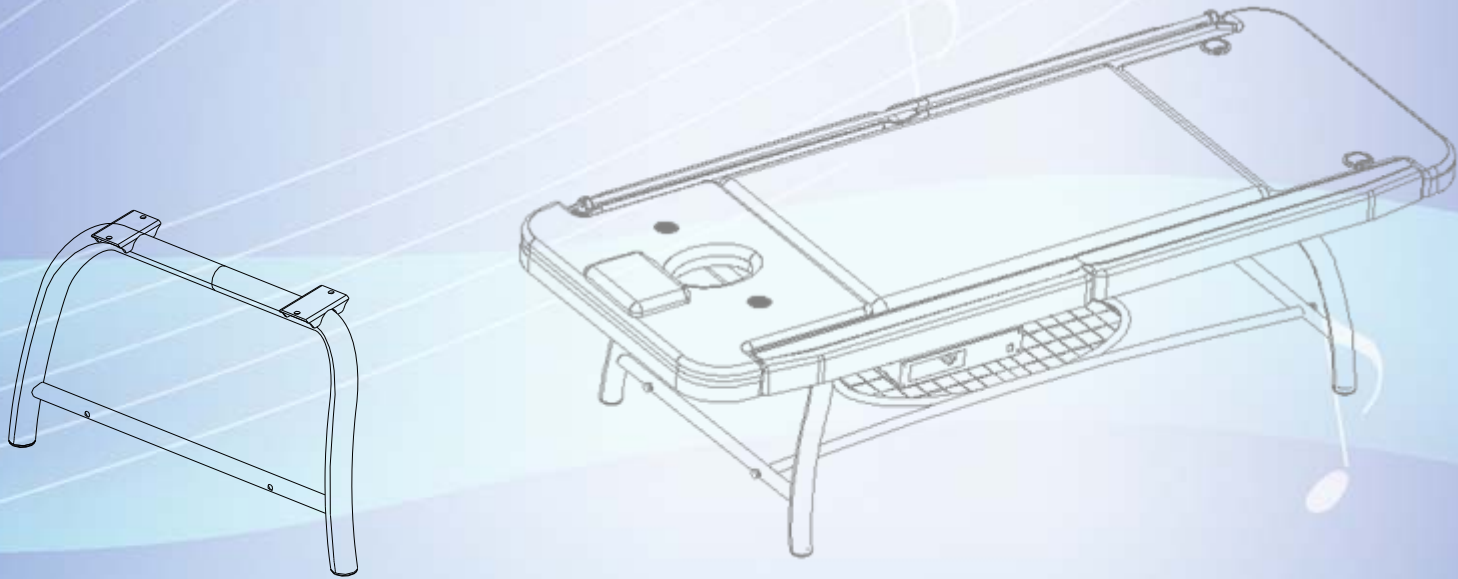
Package C ( 1450\*920\*145 mm )



## Feature 3 -

### ◆ Better stability in bed body-

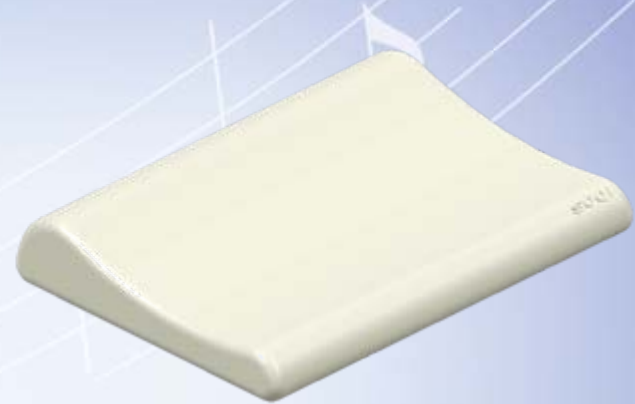
New leg shape design that can hold body weight up to 450 lbs.



## Feature 4 -

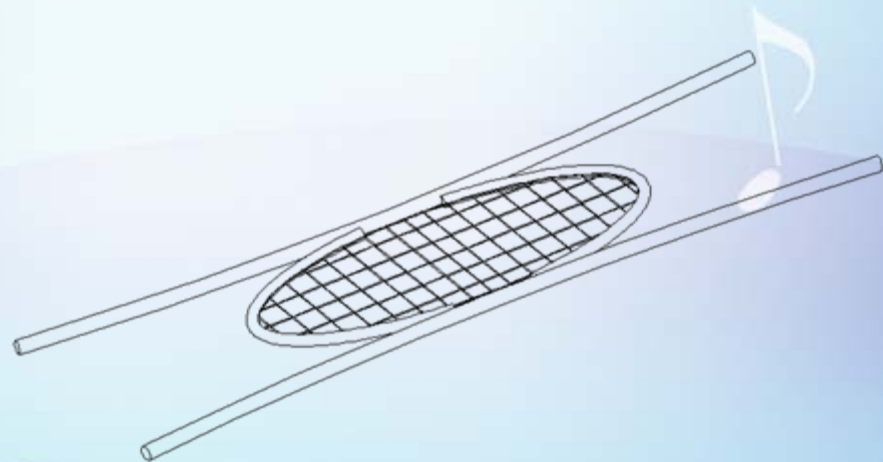
### ◆ New Pillow

More comfortable-  
The dual-lobe design supports the curve created by your head, neck and shoulders to properly align your spine and give you better rest!



### ◆ New Bracket

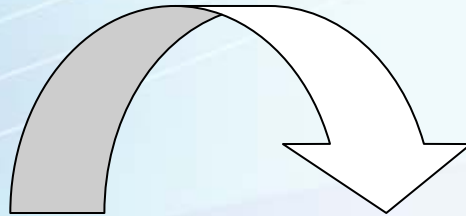
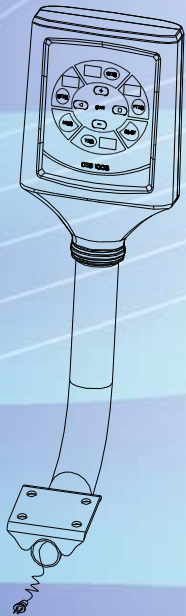
More modern look



## Feature 5 -

### ◆ New Touch-Control Panel Technology

- Easy to operate & more user friendly!
- No need to press the buttons, just move your finger over the sensors to change the setting.
- The panel is turn-able; can rotate to different angles when lying on the bed.





## Feature 6 -

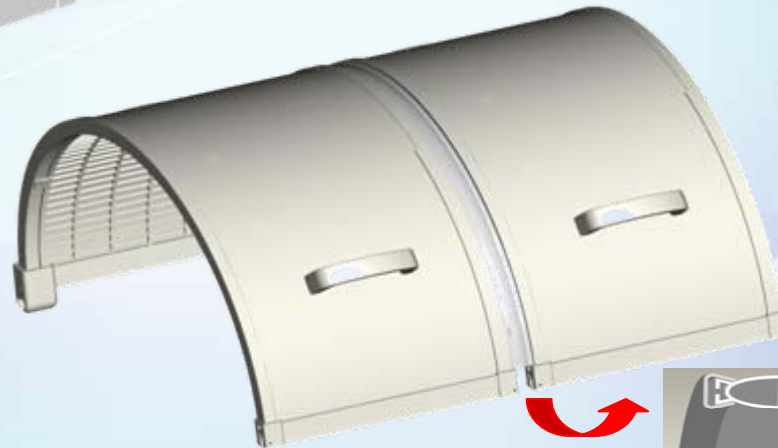
### New Horizontal Handle design

Easier to lift

Shorter torque



New Control Box



### Heat insulation strips-

This rubber piece comes with each HotHouse to help keep the FIR heat inside the dome (you can still use the curtains to increase the length between each HH.) The strips also help to prevent the HotHouses from bumping into each other.

Place your order today!



Please contact our staff for more information!